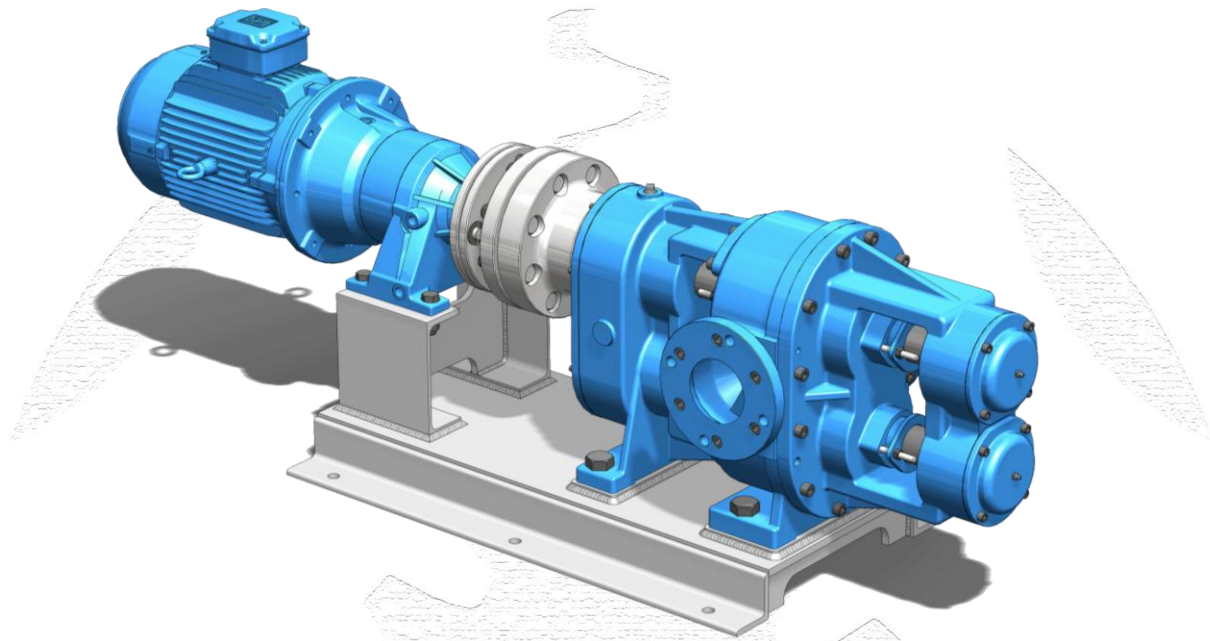




## ROTARY LOBE PUMPS

### MODEL: RP5 ROTOPUMP



#### OVERVIEW:

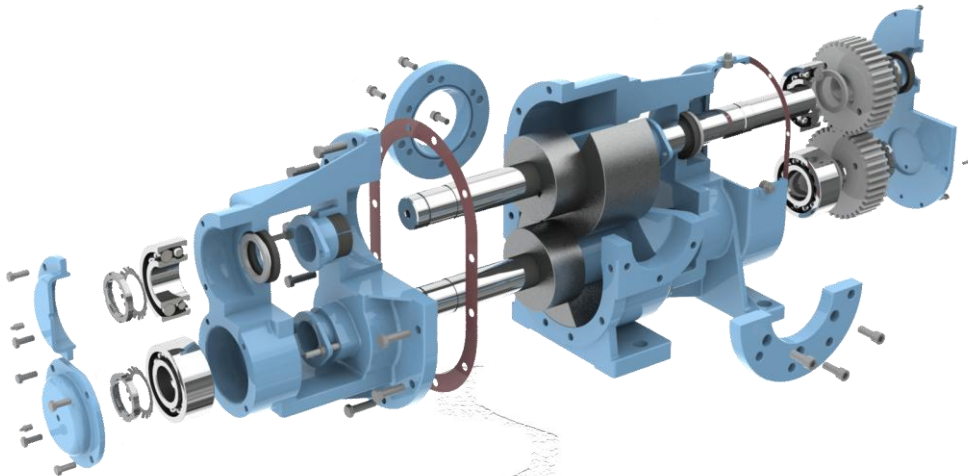
The RP5 is a heavy duty rotary positive displacement lobe pump for handling a wide range of viscous and semi-solid materials.

Non-contacting, non-meshing lobes give large volumetric displacement allowing low operating speed with quiet performance, less agitation of pumped material and low maintenance.

RP5 Rotopumps are supplied ready to go on a sturdy galvanized base. We use premium quality WEG drives and Bonfiglioli planetary transmissions mated to NEC shearpin couplings (to protect against damage from tramp metal and large foreign objects.)

#### KEY FEATURES:

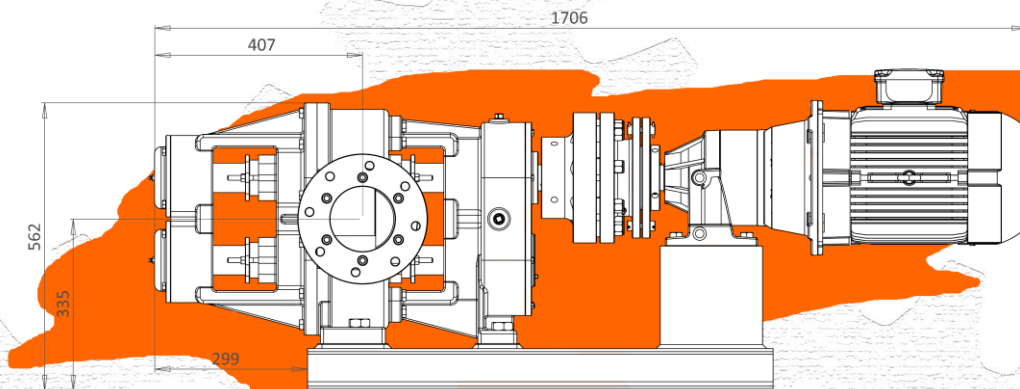
- Interchangeable 5" or 4" inlet / outlet flanges
- Typical pumping capacity of 5,000 – 7,000kg per hour
- Can be run dry without damage
- Case Hardened Gear set, in a separate oil bathed housing
- Isolated Bearings, removed from processing chamber and foreign matter intrusion
- 316 Stainless internal components



## APPLICATIONS:

Developed primarily for the meat processing industry, the RP5 Rotopump is ideal for handling:

- Washed or unwashed soft cut offals (cattle, sheep, pig etc.)
- Whole sheep or lamb paunches and runner sets
- Crushed bone, raw and cooked blood
- Effluent with solids



## SPECIFICATIONS:

Max. Flowrate	Up to 7,000 kg per hour in soft / low viscosity materials
Max Fluid Temperature	Upwards of 250 <sup>o</sup> C
Port Size	Inlet, 5" Table C. Outlet, 4" Table C flanges (Interchangeable left to right)
Construction Materials	Shafts & internal components in 316 grade stainless, lobes in Cast S.G. Iron
Standard Drive	WEG 7.5kw 4 pole IE90 drive, IP56 rated
Standard Transmission	Bonfiglioli, output @ 100rpm
Protection	Supplied with a shearpin coupling to protect from damaging foreign objects

